



IMPORTANT:

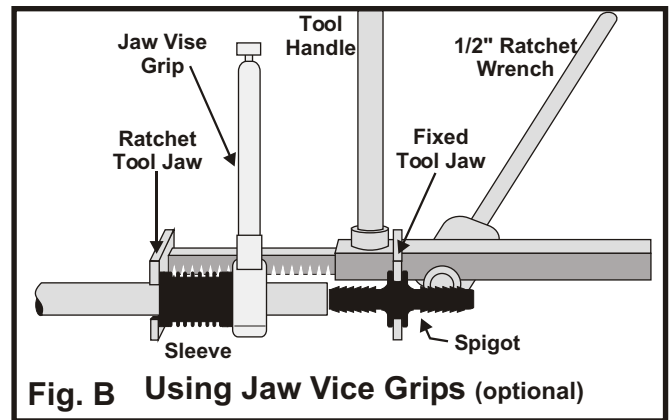
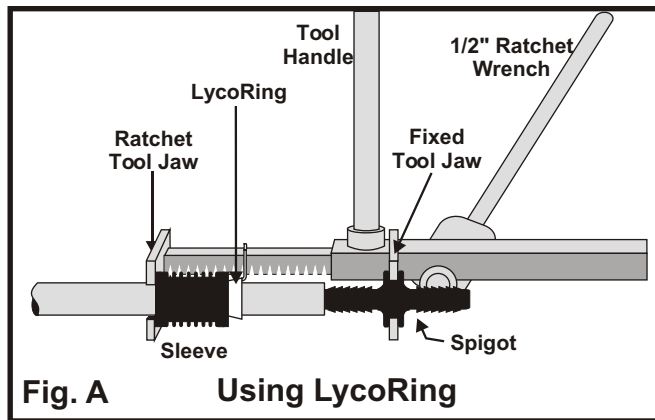
1. **DO NOT** apply lubricants to fitting's spigot or sleeves.
2. Squeeze off PE pipe when using coupling for repair OR line extension to insure flow is stopped.
3. The **QRP-100** tool is intended for installing **LYCOFIT®** couplings and fittings only.
4. **LYCOFIT®** couplings are designed to be installed on O.D. controlled polyethylene pipe only. Examine pipe and coupling labels and install coupling and Fittings only to pipe with correct size and wall thickness/SDR dimensions.

QRP-100

LYCO® Quick Ratchet Press

Installation Procedure For LYCOFIT® Gas Fittings

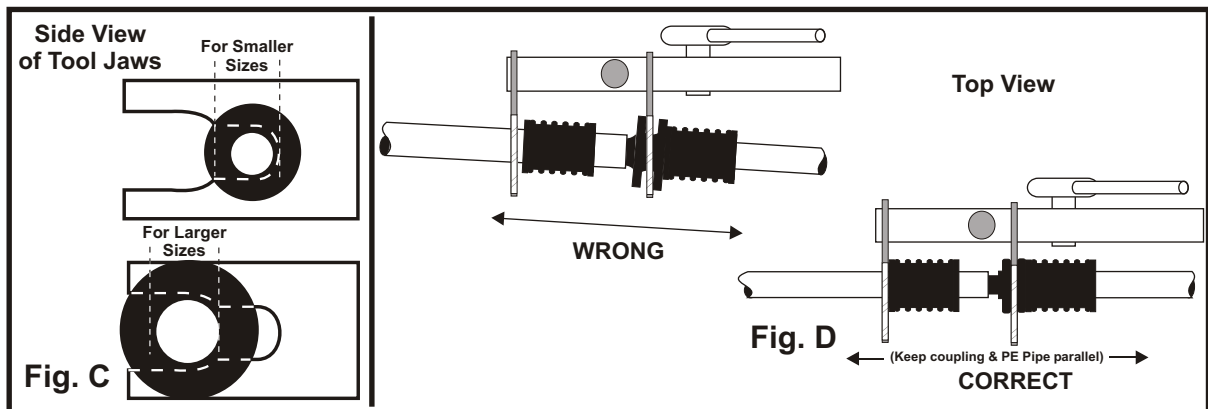
INSTALLATION OVERVIEW and PRECAUTIONS



A The QRP-100 Quick Ratchet Press is for installing **LYCOFIT®** 1/2" CTS, 3/4" CTS, 1" CTS, 1/2" IPS, 3/4" IPS, 1" IPS, and all smaller sized Metric Couplings and Fittings, including Tapping Tee outlets, Field assembled transitions, and Lyall Risers with optional **LYCOFIT®** connections.

B. This manual covers installation of **LYCOFIT®** fittings using the **QRP-100 Tool** and either **LycoRing (Fig. A)** or optional **Jaw Vise Grip (Fig.B)** for PE pipe advancement onto the fitting's Spigot.

C. Before installing PE pipe couplings, screw the tool handle to the top of the tool and attach a long handled 1/2" Ratchet Wrench (not supplied by Lyall.) to the socket on the side of tool. The fitting orientation shown is for illustration purposes only. Nest the fitting in the saddle of either tool jaw (fixed jaw is shown).

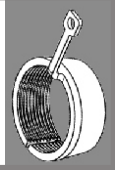


Caution: To prevent possible damage to the PE pipe, ensure that the spigot is fully seated in the tool jaw (see *Fig. C*), and that the tool and pipe/coupling is square (see *Fig. D*) so that the pipe does not drag on the edges of the tool jaw.

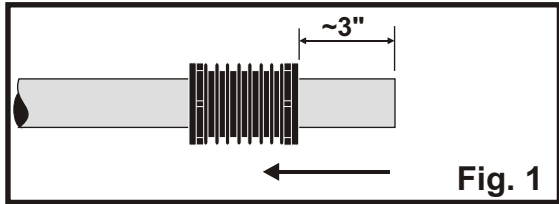
CUSTOMER SERVICE: 1 (800) 535-9255



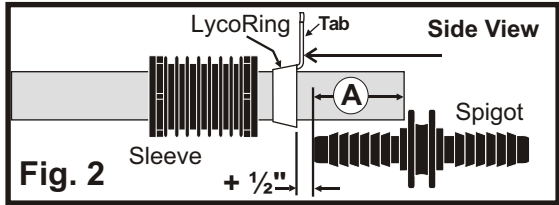
**INSTALLATION PROCEDURE
USING
LYCORING®
(Disposable pipe grip ring)**



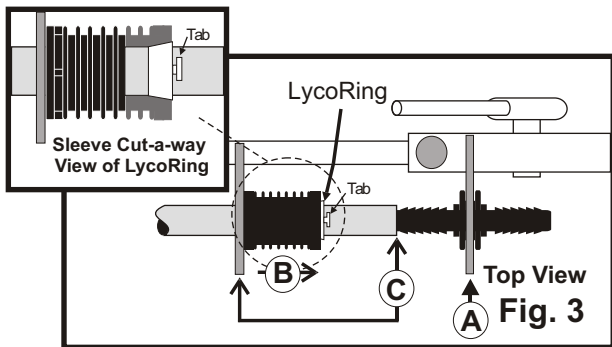
How to install Double Ended Couplings



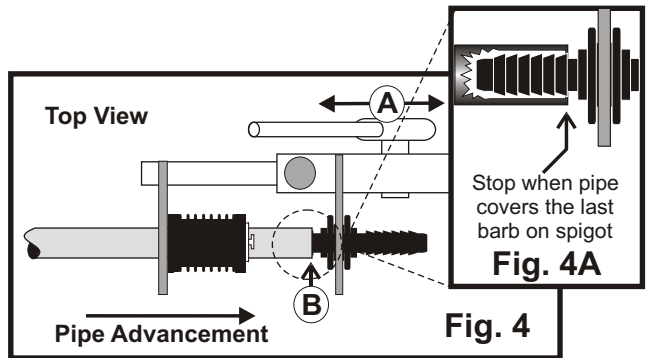
Step 1 Completion Sleeve Insertion
 A) With the PE pipe reasonably clean, slide the completion sleeve onto PE pipe exposing approx. 3" of the tubing.
 Note: Completion sleeves are non-directional and can be slid onto the pipe via either end.



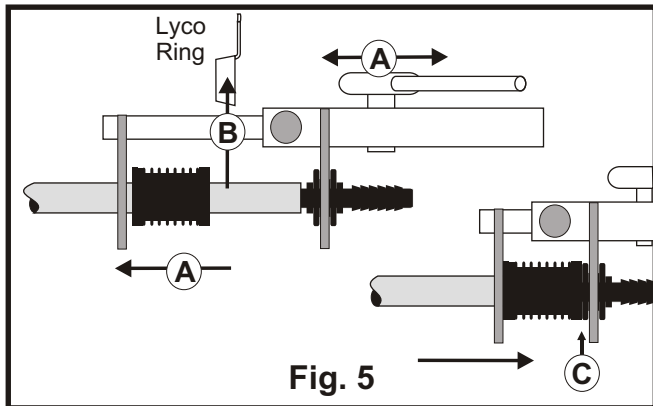
Step 2 LycoRing Placement
 A) Slide the LycoRing* (small diameter first) onto the PE pipe and position to approx. 1/2" further than the length of the fitting's spigot.
 Note: The LycoRing may be damaged if ring is pushed over pipe.



Step 3 Inserting Fitting into Tool
 A) Nest the spigot in the saddle of either jaw (spigot shown nested in fixed jaw above in Fig. 3)
 B) With one hand slide the completion sleeve back over the LycoRing, until it starts to grip the pipe.
 C) Position the PE pipe & completion sleeve into the QRP. Align the pipe to the spigot and push over the spigot end, stopping at the first barb of the spigot (See Fig 3C)

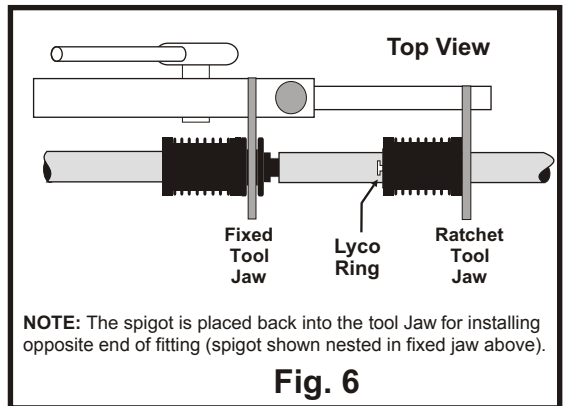


Step 4 Advancing Pipe over Spigot
 A) Operate the ratchet and advance pipe over the spigot.
 B) Stop advancement when pipe covers the last barb on spigot (See Fig 4A).



Step 5 Advancing Sleeve over Spigot
 A) Reverse ratchet direction and ratchet enough to pull sleeve back to expose the LycoRing.
 B) Remove the LycoRing by pulling on the tab.
 C) Reverse ratchet direction and advance the completion sleeve over the pipe and spigot by operating the ratchet. Stop sleeve advancement when the sleeve is fully inserted over the spigot (See "C" in Fig. 5)

installing opposite end of fitting.



Step 6 Complete Fitting
 A) To assemble the opposite side of the coupling, repeat steps 1 through 5 above.

Step 7 Test Completed Fitting (For gas fittings)
 Pressure test each fitting after installation to comply with the minimum pipeline test requirements as specified in D.O.T. Title 49, Part 192, Sub Part J-Test Requirements.



How to install Double Ended Couplings

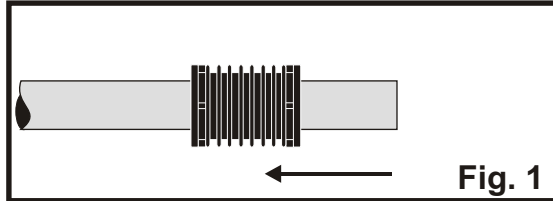


Fig. 1

Step 1 Completion Sleeve Insertion

A) Slide the completion sleeve onto end of PE pipe.

Note: Completion sleeves are non-directional and can be slid onto the pipe via either end.

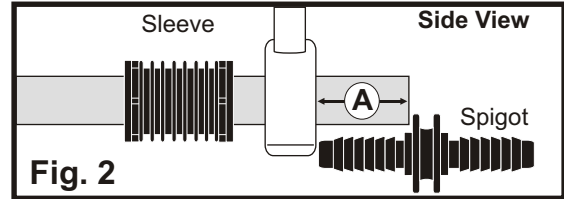
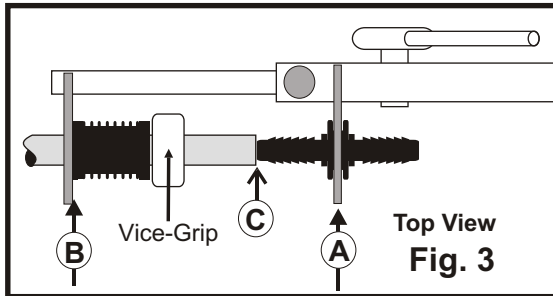


Fig. 2

Step 2 Vise Grip Placement

A) Clamp the vise grip jaw on PE pipe at distance "A" as shown in Fig. 2, using the spigot as a measurement guide.



**Top View
Fig. 3**

Step 3 Inserting Fitting into Tool

A) Nest the spigot in the saddle of either jaw (spigot shown nested in fixed jaw above).

B) Position tool around the pipe and outside edge of sleeve.

C) Align the pipe to the spigot and push over the spigot end, stopping at the first barb of the spigot (See "C" in Fig. 3).

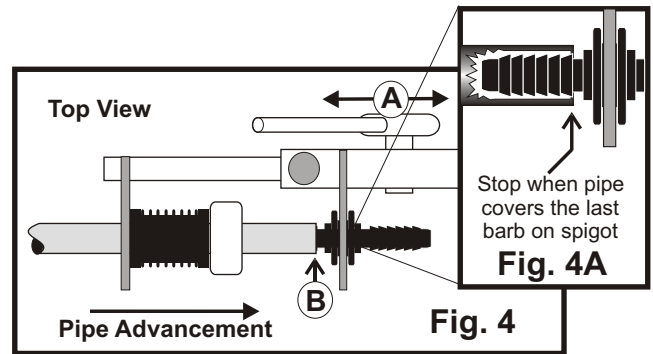


Fig. 4

Step 4 Advancing Pipe over Spigot

A) Operate the ratchet and advance pipe over spigot.

B) Stop advancement when pipe covers the last barb on spigot (See Fig 4A).

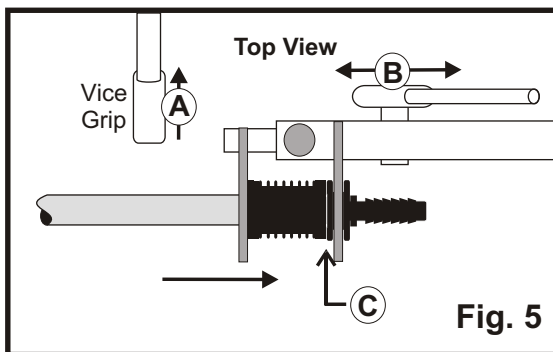


Fig. 5

Step 5 Advancing Sleeve over Spigot

A) Release vise grip and remove from pipe area.

B) Advance the sleeve over the pipe and spigot by operating the ratchet.

C) Stop sleeve advancement when the sleeve is fully inserted over the spigot (See "C" in Fig. 5)

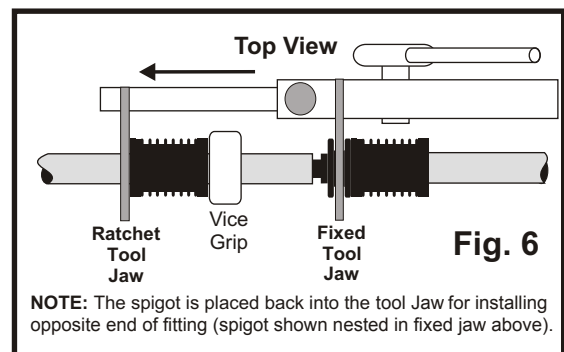


Fig. 6

NOTE: The spigot is placed back into the tool Jaw for installing opposite end of fitting (spigot shown nested in fixed jaw above).

Step 6 Complete Fitting

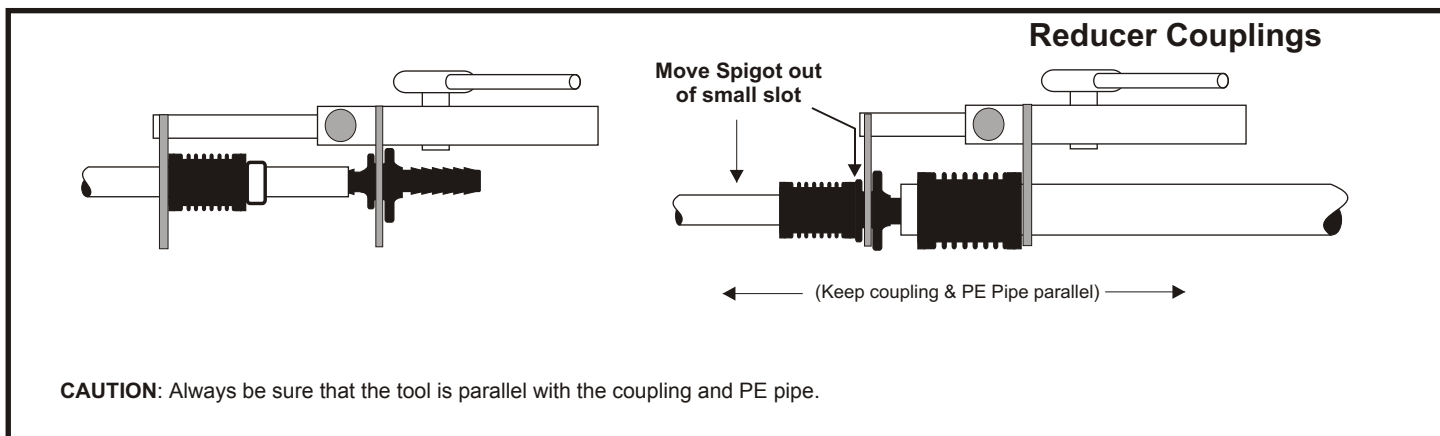
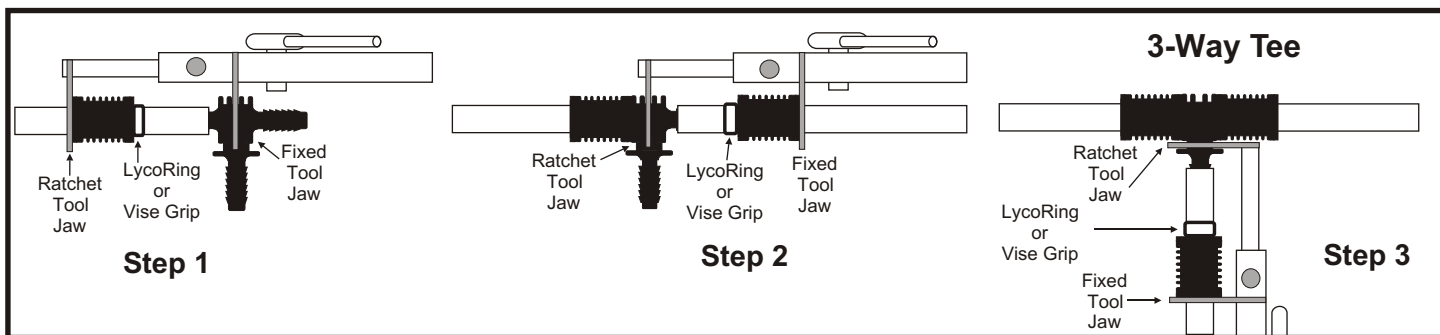
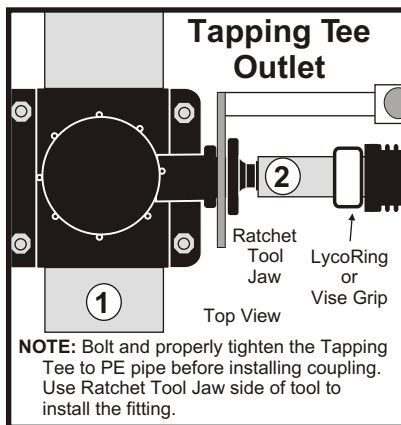
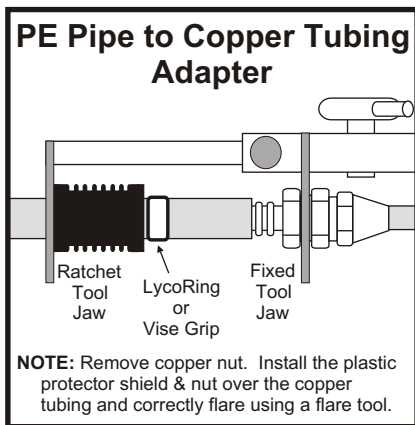
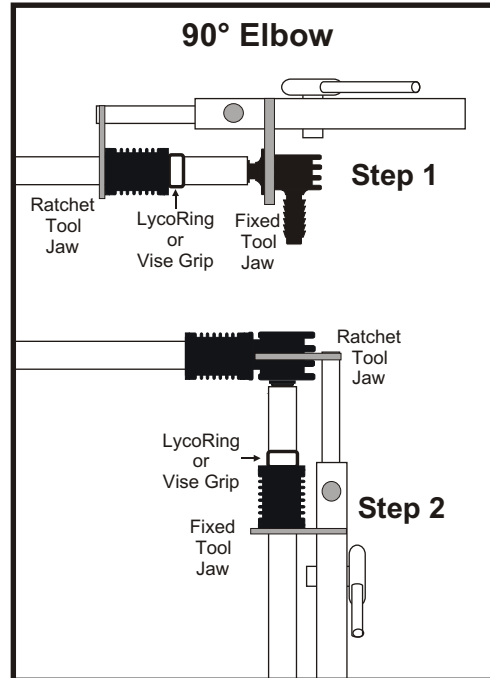
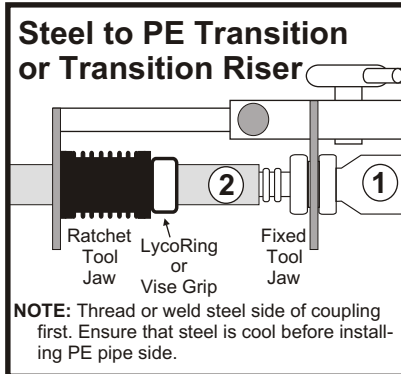
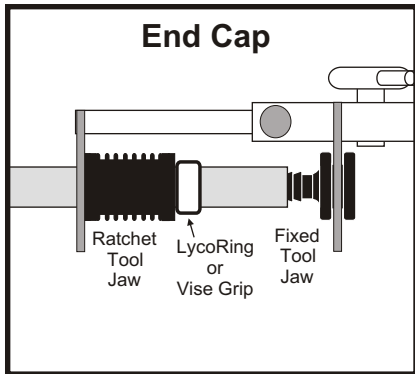
A) To assemble the opposite side of the coupling, repeat steps 1 through 5 above.

Step 7 Test Completed Fitting (For gas fittings)

Pressure test each fitting after installation to comply with the minimum pipeline test requirements as specified in D.O.T. Title 49, Part 192, Sub Part J-Test Requirements.

INSTALLING OTHER LYCOFIT® FITTINGS

Please note that the following illustrations are to be used as guides for the proper location of the spigot flange of each type of LYCOFIT® fitting and unless otherwise noted the spigot may be nested in either tool jaw as determined by the installer with no adverse effects to performance. After initial setup, follow Steps 1-5 as outlined on pages 1-3.



All RWL & Co. products mentioned herein are Patented in the U.S., and in many other countries



Phone: (800) 535-9255 www.rwlyall.com